

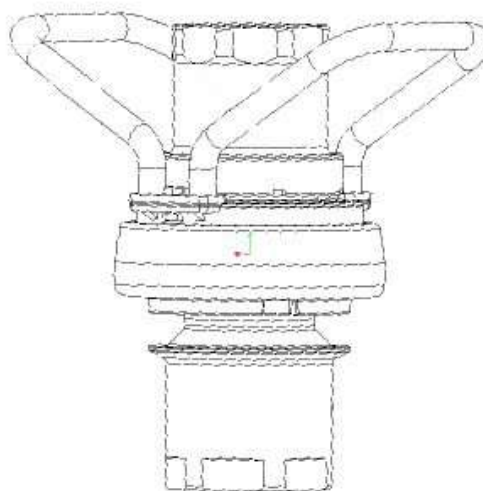


**Material:**

Stainless steel by investment casting

Aluminum by gravity casting

Brass by casting



**BODTECH Mszańska 1A 44-304 Wodzisław Śląski Polska**

[www.bodtech.pl](http://www.bodtech.pl) [bodtech@bodtech.pl](mailto:bodtech@bodtech.pl) Telefon:+48503834570

**41**

## Dry disconnect coupling


**Female**

**Female**

**Female**

Name	Size	D <sub>mm</sub>	Thread	Code	Thread	Code	Material
TH56	1"	56	BSP	B1601087	NPT	B1601051	SS
TH70	2"	70	BSP	B1601026	NPT	B1601099	SS
TH105	2 1/2"	105	BSP	B1601005	NPT	B1601104	SS
TH119	3"	119	BSP	B1601057	NPT	B1601114	SS
TH164	4"	164	BSP	L1601018	NPT	L1601115	SS
TH56	1"	56	BSP	B1601168	NPT	B1601166	BR
TH70	2"	70	BSP	B1601068	NPT	B1601154	BR
TH105	2 1/2"	105	BSP	B1601069	NPT	B1601170	BR
TH119	3"	119	BSP	B1601129	NPT	B1601070	BR
TH164	4"	164	BSP	B1601137	NPT	B1601071	BR
TH56	1"	56	BSP	B1601097	NPT	B1601046	AL
TH70	2"	70	BSP	B1601047	NPT	B1601106	AL
TH105	2 1/2"	105	BSP	B1601145	NPT	B1601146	AL
TH119	3"	119	BSP	B1601113	NPT	B1601116	AL
TH164	4"	164	BSP	B1601050	NPT	B1601081	AL


**Male**

**Male**

**Male**

Name	Size	D <sub>mm</sub>	Thread	Code	Thread	Code	Material
TU56	1"	56	BSP	B1601093	NPT	B1601171	SS
TU70	2"	70	BSP	B1601032	NPT	B1601152	SS
TU105	2 1/2"	105	BSP	B1601044	NPT	B1601103	SS
TU119	3"	119	BSP	B1601034	NPT	B1601111	SS
TU164	4"	164	BSP	B1601024	NPT	B1601112	SS
TU56	1"	56	BSP	B1601167	NPT	B1601165	BR
TU70	2"	70	BSP	B1601064	NPT	B1601159	BR
TU105	2 1/2"	105	BSP	B1601065	NPT	B1601169	BR
TU119	3"	119	BSP	B1601134	NPT	B1601066	BR
TU164	4"	164	BSP	B1601142	NPT	B1601067	BR
TU56	1"	56	BSP	B1601098	NPT	B1601039	AL
TU70	2"	70	BSP	B1601001	NPT	B1601002	AL
TU105	2 1/2"	105	BSP	B1601040	NPT	B1601102	AL
TU119	3"	119	BSP	B1601041	NPT	B1601117	AL
TU164	4"	164	BSP	B1601042	NPT	B1601083	AL



Flange

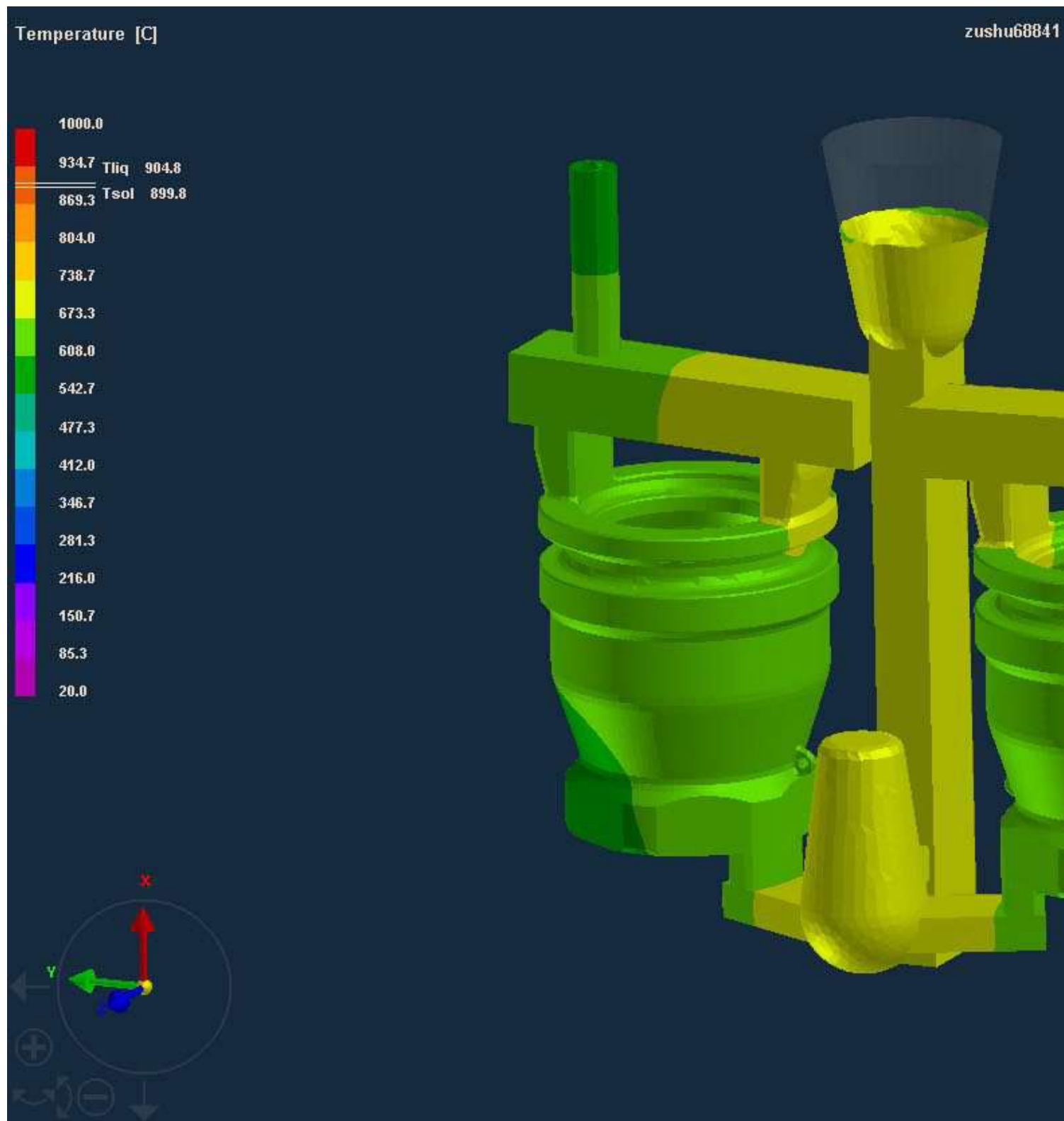
Name	Size	D mm	Thread	Code	Weight	SPQ	Material
TH56	1"	56		B1603003			SS
TH70	2"	70		B1603004			SS
TH105	2 1/2"	105		B1603005			SS
TH119	3"	119		B1603006		2	SS
TH164	4"	164		B1603007		1	SS
TH56	1"	56		B1603023			BR
TH70	2"	70		B1603024			BR
TH105	2 1/2"	105		B1603025			BR
TH119	3"	119		B1603026		2	BR
TH164	4"	164		B1603027		1	BR
TH56	1"	56		B1603013			AL
TH70	2"	70		B1603014			AL
TH105	2 1/2"	105		B1603015			AL
TH119	3"	119		B1603016		2	AL
TH164	4"	164		B1603017		1	AL

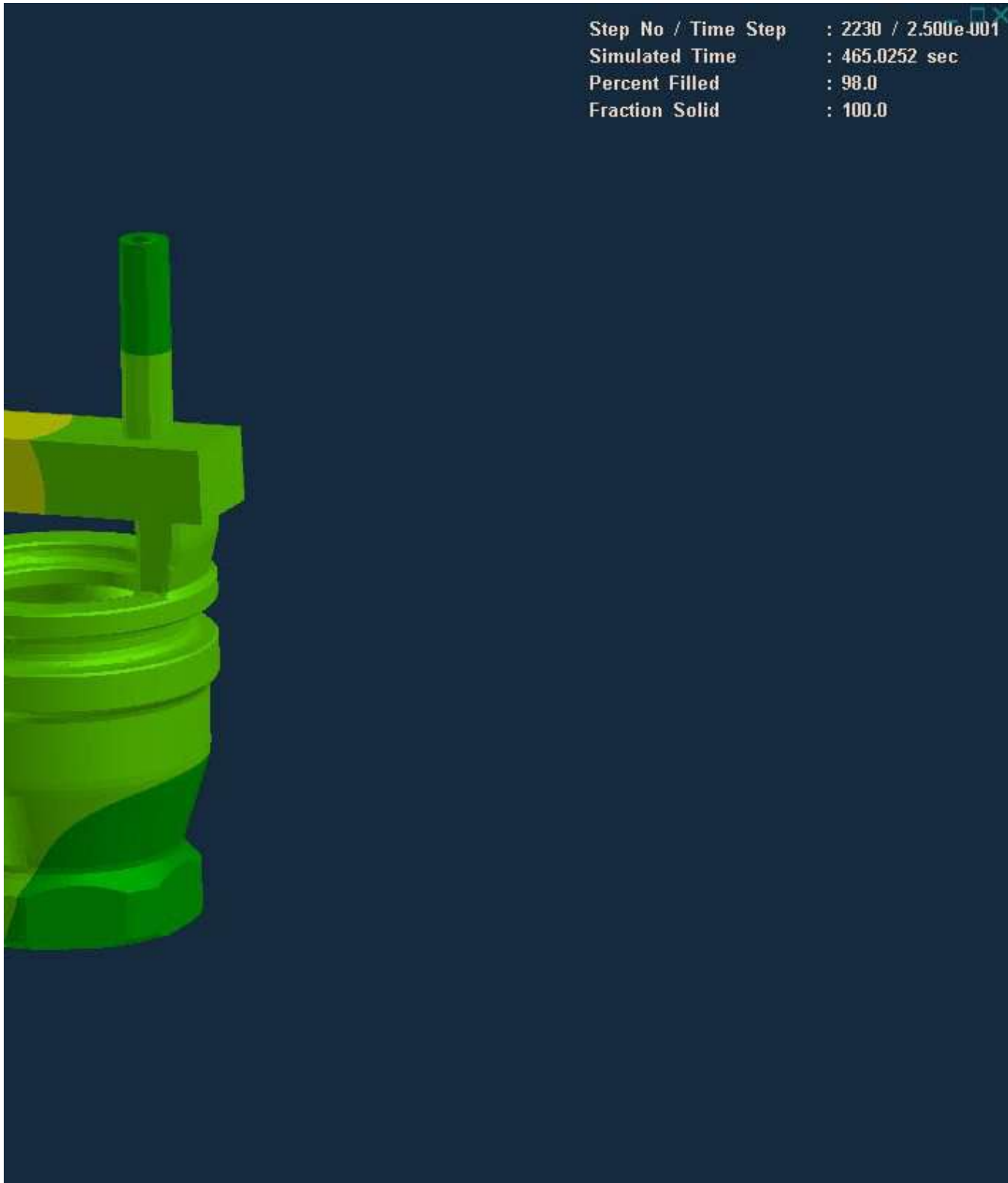


Flange

Name	Size	D mm	Thread	Code	Weight	SPQ	Material
TU56	1"	56		B1603008			SS
TU70	2"	70		B1603009			SS
TU105	2 1/2"	105		B1603010			SS
TU119	3"	119		B1603011		8	SS
TU164	4"	164		B1603012		4	SS
TU56	1"	56		B1603028			BR
TU70	2"	70		B1603029			BR
TU105	2 1/2"	105		B1603030			BR
TU119	3"	119		B1603031		7	BR
TU164	4"	164		B1603032		4	BR
TU56	1"	56		B1603018			AL
TU70	2"	70		B1603019			AL
TU105	2 1/2"	105		B1603020			AL
TU119	3"	119		B1603021		8	AL
TU164	4"	164		B1603022		4	AL

Dry disconnect coupling









## Dry disconnect coupling


**Female Cap**

Name	Size	Code	Weight	Price	Material
TH56		B1601161			AL
TH70		B1601084			AL
TH105		B1601150			AL
TH119		B1601085			AL
TH164		B1601086			AL


**Male Cap**

Name	Size	Code	Weight	Price	Material
TU56		B1601162			AL
TU70		B1601082			AL
TU105		B1601151			AL
TU119		B1601037			AL
TU164		B1601012			AL



